

# Discover Your Future: Career Exploration

Have you ever wondered what it would be like  
**TO BE** a scientist or an engineer?

Have you ever wondered how **YOU** could  
become a scientist or an engineer?

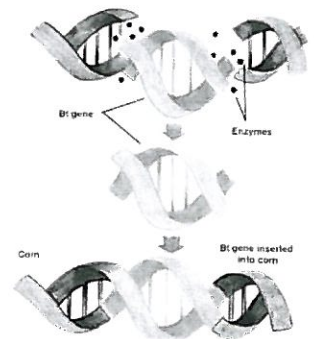
Now is the chance to see what **YOUR** future can be!

The Academy of Aerospace and Engineering (AAE)  
and the Greater Hartford Academy of Math & Science (GHAMAS)  
are offering a **FREE** two week summer program  
for students **entering** grades 5 or 6.

Students enrolled in this program will learn about careers in science, technology, and engineering by:



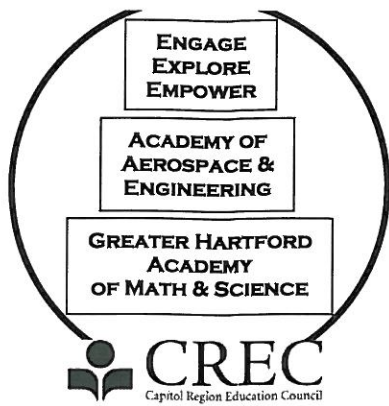
- Learning about *Genetics, Robotics, Forensics, Mechanical Marvels, Aerospace* and much, much more
- Doing hands-on design challenges and projects in AAE/GHAMAS's state-of-the art labs and classrooms
- Going on field trips to see science & technology being used in the real-world
- Interacting with professionals and experts in science, engineering and technology



**Program Dates:**  
**Monday – Friday, July 9 - 20, 2012**  
**from 8:30am - 2:30pm**

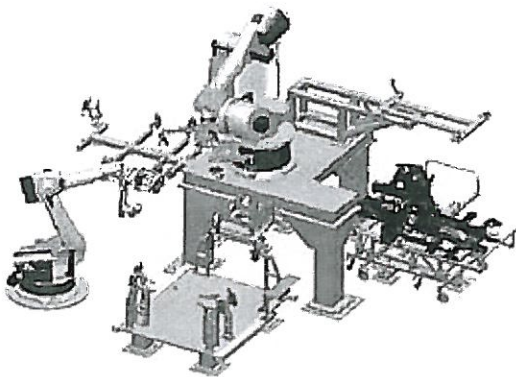
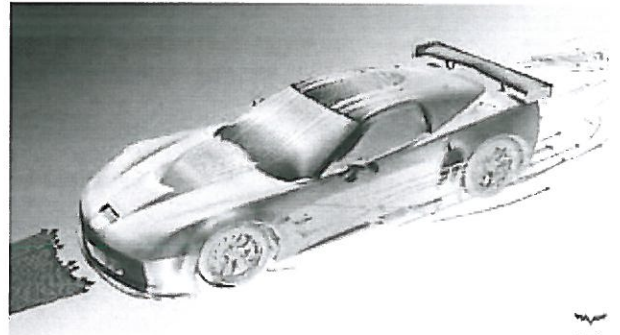
**Any Questions? Contact: Jake Mendelssohn at 860-757-6359; [jmendelssohn@crec.org](mailto:jmendelssohn@crec.org)  
AAE/GHAMAS, 15 Vernon Street, Hartford, CT 06106**

**This is a preliminary flyer since funding for this program has NOT yet been approved. However, if you apply now, when and if the funding is approved, your application will be added to the list.**



# Discover Your Future: Career Exploration

- ▶ **What is the cost of the program?** The Discover Your Future program is **FREE** to students entering 5<sup>th</sup> or 6<sup>th</sup> grade. Snacks and a lunch will be provided. Students are expected to attend all classes during the entire two week program.
- ▶ **Where will the program be held?** All activities will be run at the AAE/GHAMAS school in Hartford with the exception of Field Trips.
- ▶ **Will transportation be provided?** A bus will be assigned to pick up and drop off students at a number of designated locations within the Greater Hartford area. Enrolled participants will be notified of these locations closer to the beginning date of the program.

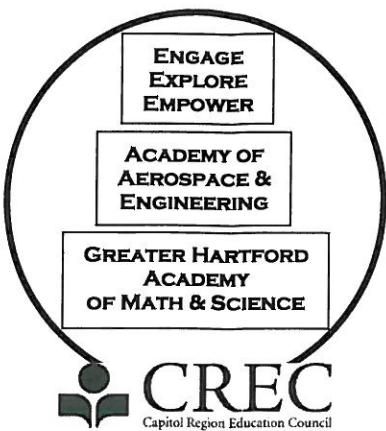


- ▶ **How do I register?** Acceptance is on a first come, first serve basis. Space for this fantastic program is very limited, so sign up today. Notification of acceptance into the program will come through the mail. **Registration forms are available in the Guidance Area of your school** or you can contact Jake Mendelssohn at 860-757-6359; [jmendelssohn@crec.org](mailto:jmendelssohn@crec.org)

Any Questions? Contact: Jake Mendelssohn at 860-757-6359; [jmendelssohn@crec.org](mailto:jmendelssohn@crec.org)  
AAE/GHAMAS, 15 Vernon Street, Hartford, CT 06106



**This is a preliminary flyer since funding for this program has NOT yet been approved. However, if you apply now, when and if the funding is approved, your application will be added to the list.**



# Discover Your Future: Career Exploration

Summer 2012 Discover Your Future Program Registration Form  
(Applications accepted on a first come, first served)

Please Complete Form in Black or Blue Pen

## Student Information:

Name \_\_\_\_\_ Entering Grade \_\_\_\_\_  
School \_\_\_\_\_ Town \_\_\_\_\_  
Home Address \_\_\_\_\_  
City \_\_\_\_\_ Zip \_\_\_\_\_ Phone \_\_\_\_\_

## Parent/Guardian Information:

Name \_\_\_\_\_ Relation to Student \_\_\_\_\_  
Street Address (if different) \_\_\_\_\_  
City \_\_\_\_\_ Zip \_\_\_\_\_ Email \_\_\_\_\_  
Home Phone \_\_\_\_\_ Cell Phone \_\_\_\_\_  
Emergency Contact \_\_\_\_\_  
Emergency Phone \_\_\_\_\_ Relation to Student \_\_\_\_\_

## Dates of the Two Week Program:

**Monday – Friday, July 9 - 13, 2012**  
**Monday – Friday, July 16 - 20, 2012**  
**from 8:30am - 2:30pm**

Students are expected to attend all classes during the entire two week program.

Please fax or mail registration form to:

AAE/GHAMAS  
ATTN: Jake Mendelssohn  
15 Vernon Street, Hartford, CT 06106  
Fax (860)757-6399

Any questions, contact Jake Mendelssohn at 860-757-6359; [jmendelssohn@crec.org](mailto:jmendelssohn@crec.org)

This is a preliminary flyer since funding for this program has NOT yet been approved. However, if you apply now, when and if the funding is approved, your application will be added to the list.